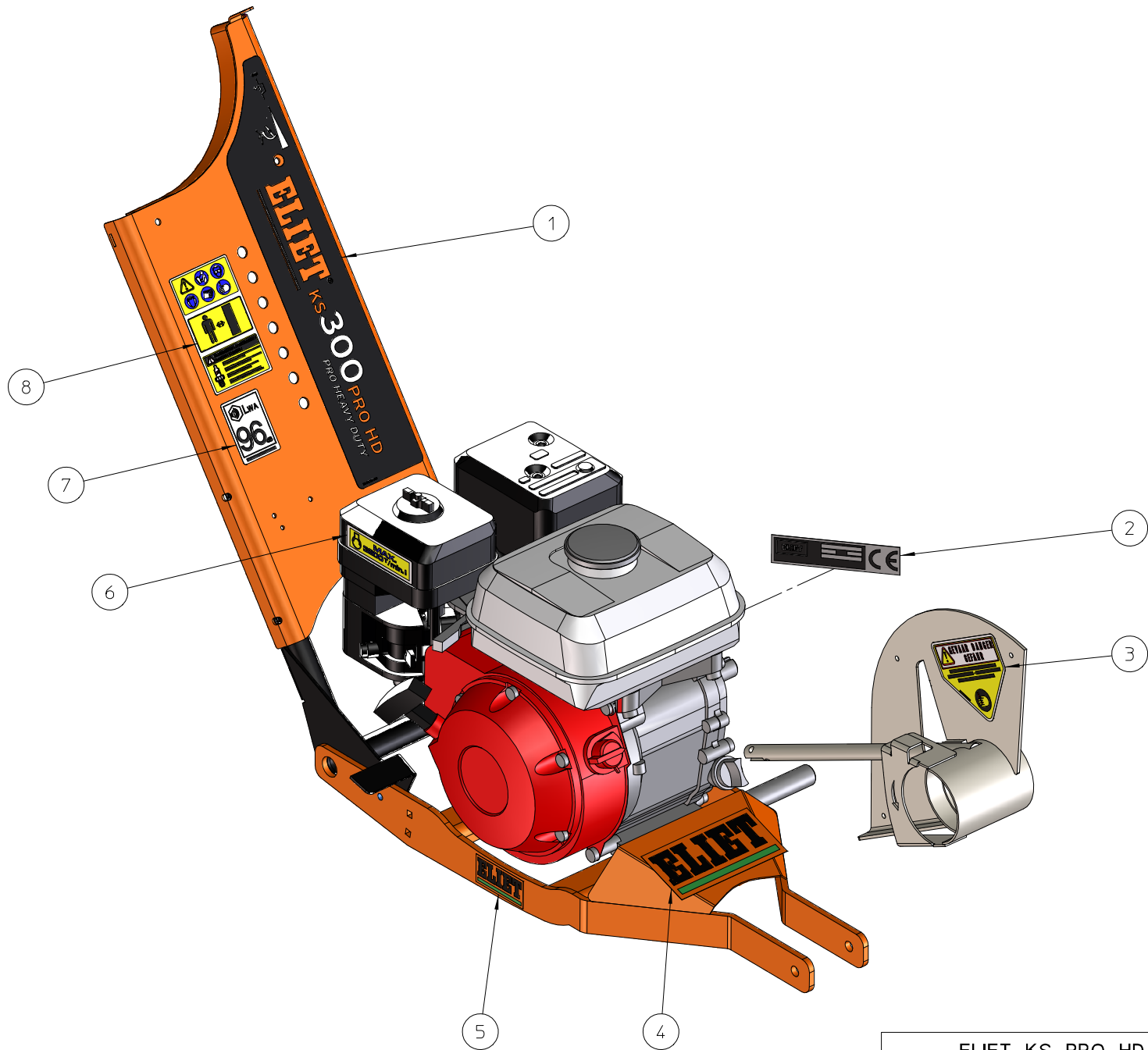


ELIET KS 300 PRO HD - OPTION

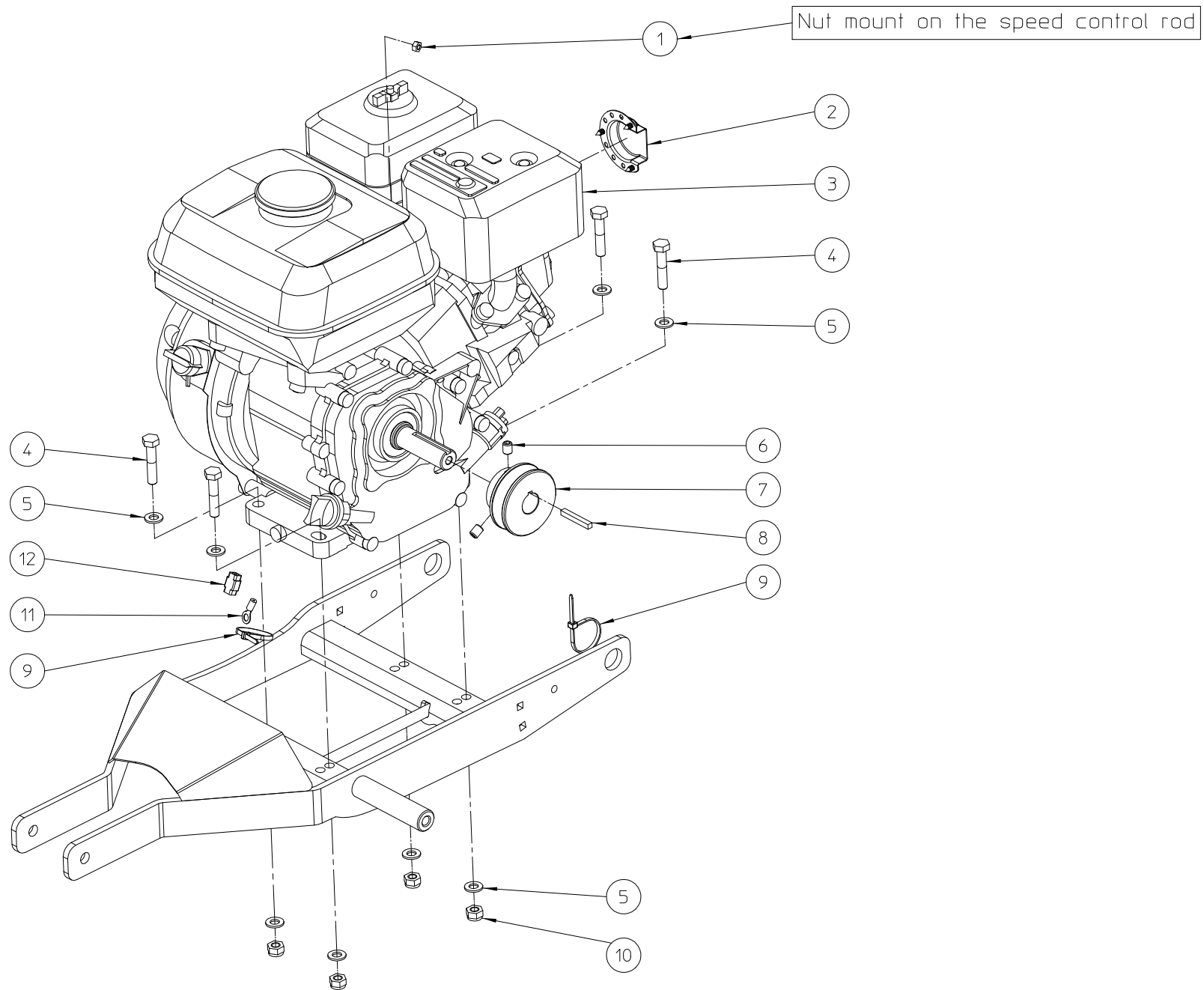
ELIET KS 300 PRO HD – GENERAL					
NO	MMA 01 110 350	REV	1	DATE	2023/04/27

#	Order nr	article description	quantity
1	MMA 01 110 690	ks pro hd - stickers	1
2	MMA 01 110 620	ks pro - motor honda gx	1
3	MMA 01 110 520	upper handlebar-ks-pro-hd-cwgc	1
4	MMA 01 110 650	ks pro hd - depth setting	1
5	MMA 01 110 560	ks pro hd - cutting head	1
6	MMA 01 110 510	ks - chassis	1
7	MMA 01 110 590	ks pro (hd) - wheels	1
8	MMA 01 110 910	ks pro - options	1



ELIET KS PRO HD – STICKERS					
NO	MMA 01 110 690	REV	1	DATE	2023/04/27

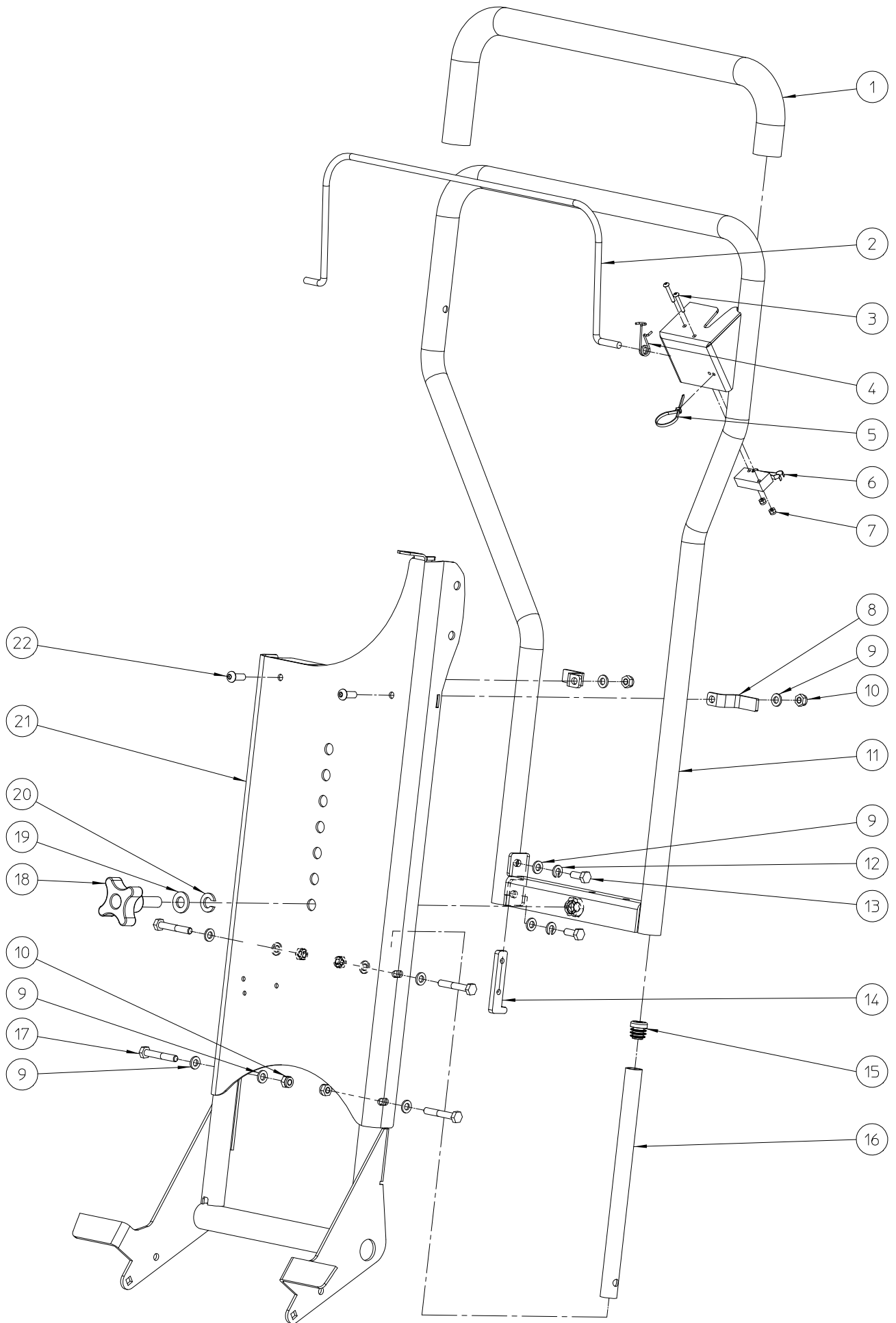
#	Order nr	article description	quantity
1	BQ 501 110 020	sticker eliet ks pro hd 290x90mm	1
2	BQ 505 010 010	identity sticker ce 120x30	1
3	BQ 505 010 070	safety sticker 100x80 (hand cuts)	1
4	BQ 501 010 020	sticker eliet 130x60	1
5	BQ 501 010 010	sticker eliet 65x30	1
6	BQ 505 010 030	sticker max 3200 rpm 90x25	1
7	BQ 505 112 096	sticker sound level 96 db	1
8	BQ 505 010 170	safety sticker 70x115 (pictogram)	1



ELIET KS PRO – MOTOR HONDA GX

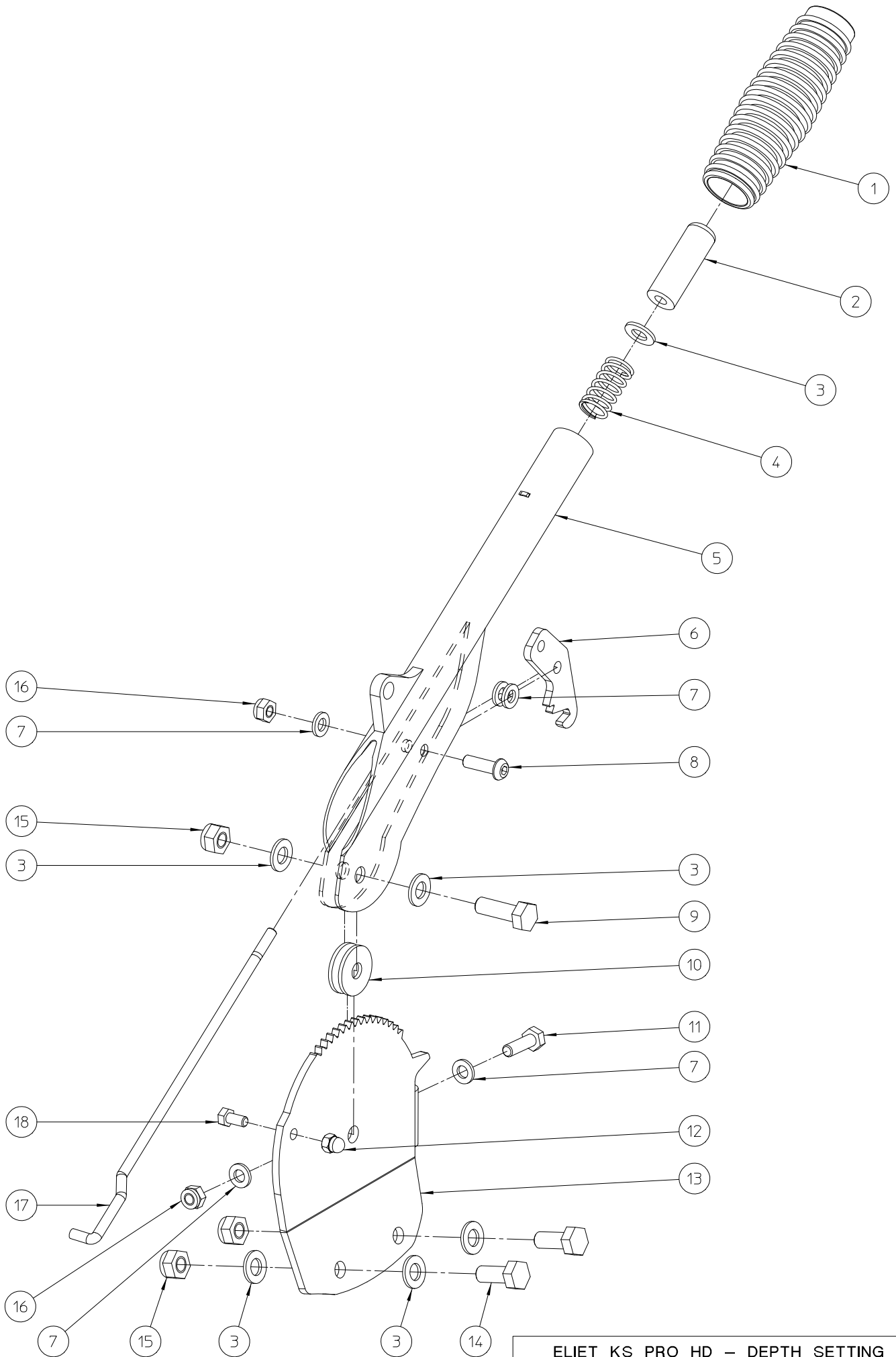
NO	MMA 01 110 620	REV	1	DATE	2023/04/27
----	----------------	-----	---	------	------------

#	Order nr	article description	quantity
1	BS 501 000 500	nut m5 din 934	1
2	BM 261 393 760		1
3	BM 202 104 001	honda gx 120	1
4	BS 511 000 840	bolt m8x40 din 931	4
5	BS 531 000 800	washer m8 din 125	8
6	BS 023 000 810	set screw m8x10 din 916	2
7	BA 565 705 601	pulley spa 56x3/4"x3/16"	1
8	BB 342 050 535	key 4.7x4.7x35 din 6880	1
9	BE 043 010 140	wrap tie 140x3.5	2
10	BS 502 000 800	self locking nut m8 din 985	4
11	BE 031 060 100	eyed terminal m4	1
12	BE 031 034 201	blue wire connector 2.5mm	1



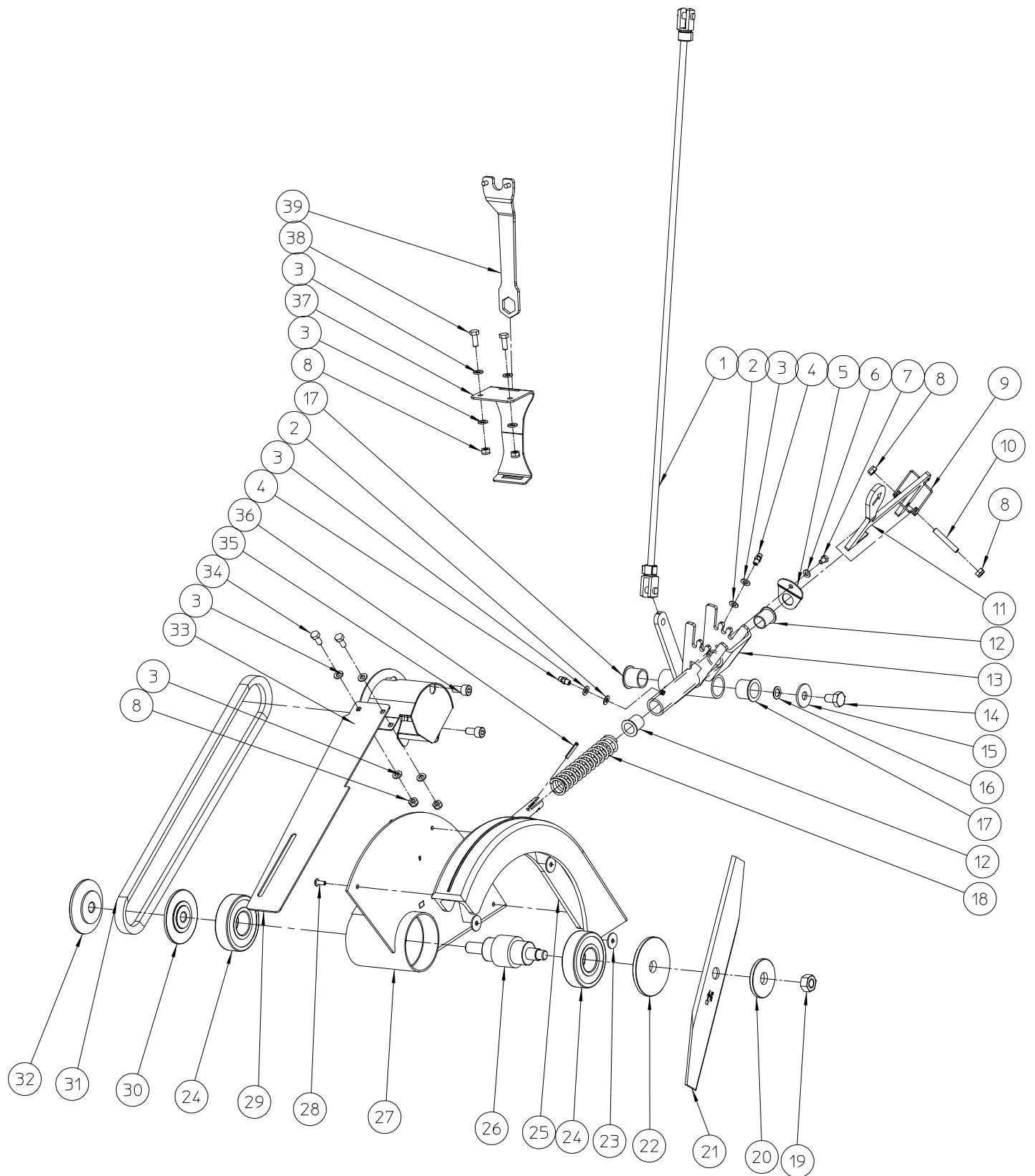
ELIET KS – UPPER HANDLEBAR KS					
NO	MMA 01 110 520	REV	1	DATE	2023/07/07

#	Order nr	article description	quantity
1	BN 231 001 057	soft rubber grip dia 22mm (l=570mm)	1
2	MPA 01 110 540	safety handle (presence control)	1
3	BS 522 500 320	screw m3x20 iso 7380	2
4	BV 911 000 040	spring	1
5	BE 043 010 100	wrap tie 100x2.5	1
6	BE 120 010 507	safety switch	1
7	BS 502 000 300	self locking nut m3 din 985	2
8	MPA 01 110 545	bracket upper handle	2
9	BS 531 000 600	washer m6 din 125	12
10	BS 502 000 600	self locking nut m6 din 985	6
11	MPA 01 110 970	steer	1
12	BS 533 000 600	lock washer m6 din 127b	2
13	BS 512 000 616	bolt m6x16 din 933	2
14	MPA 01 110 550	speed nut upper handle	1
15	BR 020 501 161	tube plug 16 mm	1
16	BR 240 516 022	hose - pe 40 Ø:16x1.8x220mm	1
17	BS 511 000 640	bolt m6x40 din 931	4
18	BN 630 210 300	lob knob 189-50 m10x30	1
19	BS 531 001 000	washer m10 din 125	1
20	BS 533 001 000	lock washer m10 din 127b	1
21	MPA 01 110 800	retainer plate steer	1
22	BS 522 500 616	screw m6x16 iso 7380	2



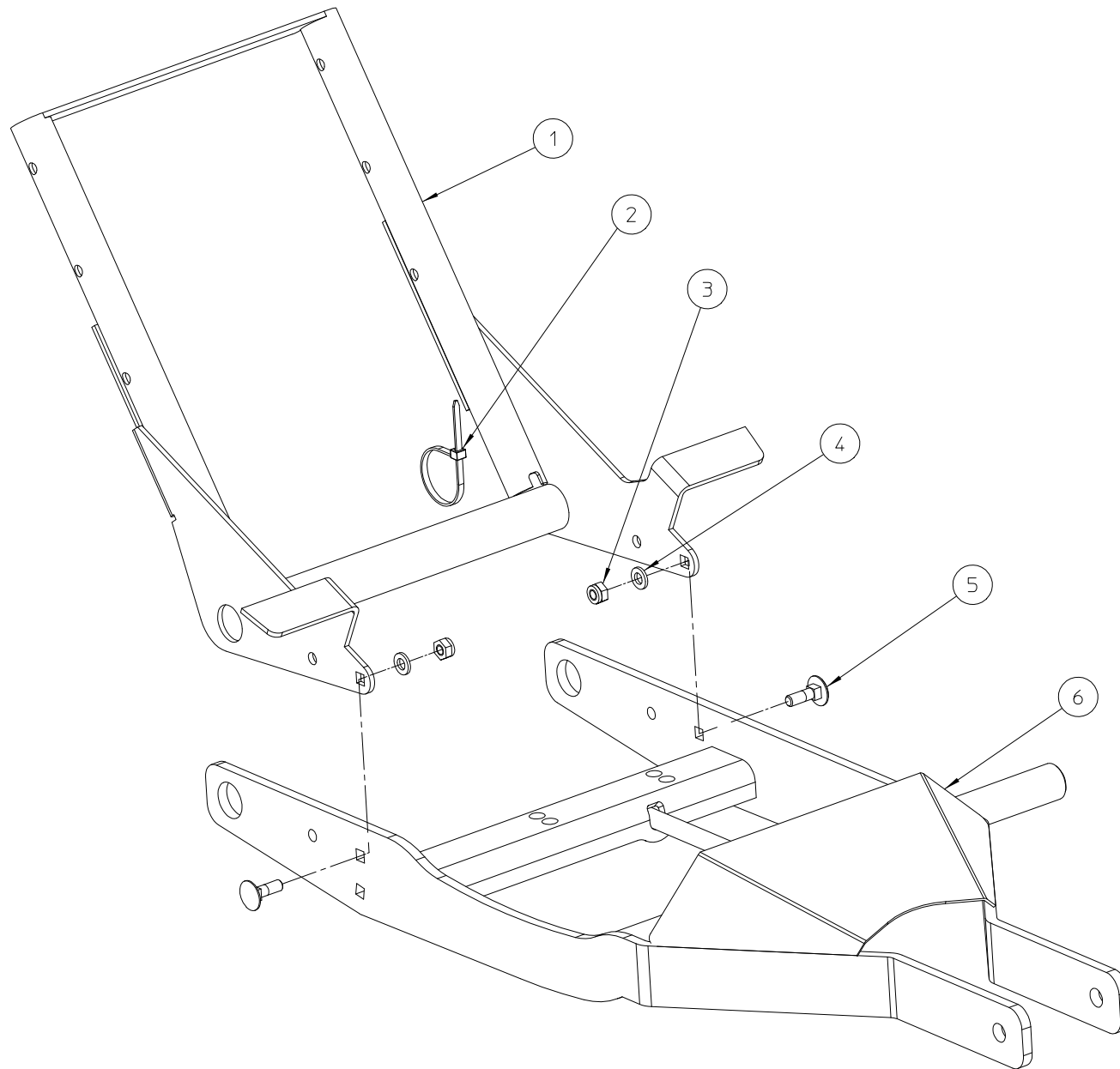
ELIET KS PRO HD – DEPTH SETTING					
NO	MMA 01 110 650	REV	1	DATE	2023/04/27

#	Order nr	article description	quantity
1	BN 230 100 402	rubber grip	1
2	MPA 01 110 790	button	1
3	BS 531 000 800	washer m8 din 125	7
4	BV 911 000 050	compression spring 1.5 x 15 x 28	1
5	MPA 01 110 640	depth control	1
6	MPA 01 110 750	latch	1
7	BS 531 000 600	washer m6 din 125	5
8	BS 522 500 620	screw m6x20 iso 7380	1
9	BS 512 000 825	bolt m8x25 din 933	1
10	BS 532 008 254	washer m8x25x2	2
11	BS 512 000 620	bolt m6x20 din 933	1
12	BS 505 500 500	nut m5 din 1587	1
13	MPA 01 110 760	setting plate	1
14	BS 512 000 820	bolt m8x20 din 933	2
15	BS 502 000 800	self locking nut m8 din 985	3
16	BS 502 000 600	self locking nut m6 din 985	2
17	MPA 01 110 740	height adjustment rod	1
18	BS 512 000 510	bolt m5x10 din 933	1



ELIET KS PRO HD – CUTTING HEAD					
NO	MMA 01 110 560	REV	1	DATE	2023/04/27

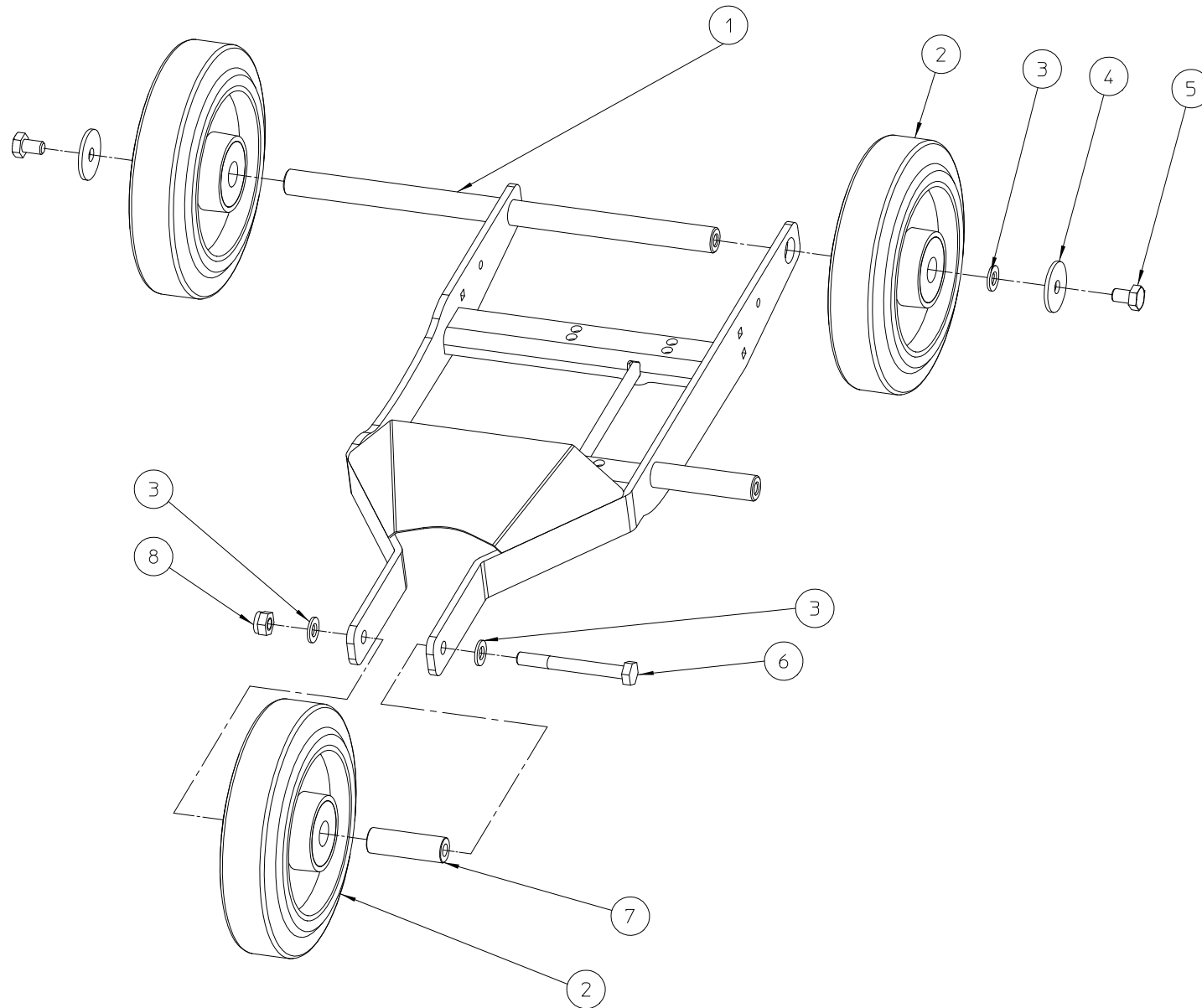
#	Order nr	article description	quantity
1	MPA 01 110 650	height adjustment rod	1
2	BS 036 000 610	precision washer	2
3	BS 531 000 600	washer m6 din 125	10
4	BY 100 106 100	grease fitting m6 din 71412	2
5	MPA 01 110 190	retainer plate	1
6	BS 531 000 500	washer m5 din 125	1
7	BS 512 000 508	bolt m5x8 din 933	1
8	BS 502 000 600	self locking nut m6 din 985	6
9	BV 911 000 070	recall spring	1
10	BS 523 000 640	din 916 screw m6x40	1
11	MPA 01 110 780	latch	1
12	BR 112 152 100	nylon bushing with collar (15.4/18/23x21/1)	2
13	MPA 01 110 660	angle setting lever	1
14	BS 512 001 016	bolt m10x16 din 933	1
15	BS 532 010 305	washer m10x30x2.5	1
16	BS 036 001 010	precision washer 10x16x1	1
17	BR 112 202 100	nylon bushing with collar (20/24/29x21/1)	2
18	BV 911 000 080	spring 24x3x125	1
19	BS 501 001 200	nut m12 din 934	1
20	MPA 01 110 710	disc ring	1
21	BU 103 100 200	standard knife	1
22	MPA 01 110 700	hose clamp	1
23	BS 532 005 202	washer m5x20x1.5	3
24	BL 003 007 203	bearing ntn 6306 llu	2
25	BR 900 000 540	knife guard	1
26	MPA 01 110 730	blade shaft	1
27	MPA 01 110 670	arm for blade	1
28	BB 221 005 160	pop plug steel 4.8x16 din 7337 a	3
29	BR 910 000 520	safety guard pulley (nylon)	1
30	MPA 01 110 690	fixed disk	1
31	BA 522 208 251	belt a 32.5 bareback	1
32	MPA 01 110 680	outer disk	1
33	MPA 01 110 720	guard	1
34	BS 512 000 614	bolt m6x14 din 933	2
35	BS 521 140 816	screw unf 5/16x5/8" din 911	2
36	BB 120 040 300	locking 4x30 din 1481	1
37	MPA 01 110 810	key clamping	1
38	BS 512 000 616	bolt m6x16 din 933	2
39	MPA 01 110 770	wrench	1



ELIET KS - CHASSIS

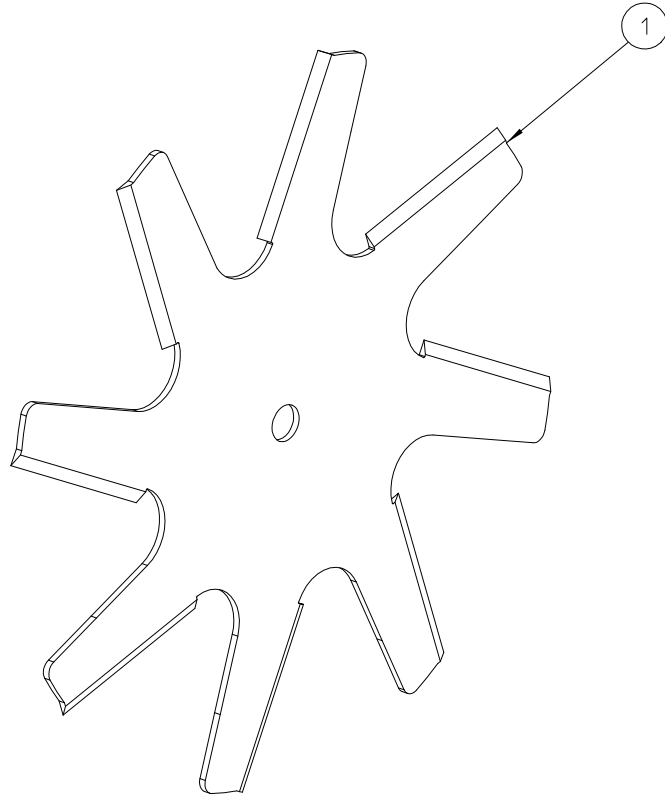
NO	MMA 01 110 510	REV	1	DATE	2023/04/27
----	----------------	-----	---	------	------------

#	Order nr	article description	quantity
1	MPA 01 110 500	lower steering bracket	1
2	BE 043 010 140	wrap tie 140x3.5	1
3	BS 502 000 600	self locking nut m6 din 985	2
4	BS 531 000 600	washer m6 din 125	2
5	BS 554 100 620	bolt m6x20 din 603	2
6	MPA 01 110 040	chassis	1



ELIET KS PRO (HD) – WHEELS					
NO	MMA 01 110 590	REV	1	DATE	2023/04/27

#	Order nr	article description	quantity
1	MPA 01 110 090	rear wheel axle	1
2	BW 320 020 000	front wheel alu 200/50-60 (e 501 pro)	3
3	BS 531 001 000	washer m10 din 125	3
4	BS 532 010 406	washer m10x40x3	2
5	BS 512 001 016	bolt m10x16 din 933	2
6	BS 511 001 049	bolt m10x90 din 931	1
7	MPA 01 110 610	wheel shaft	1
8	BS 502 001 000	self locking nut m10 din 985	1



ELIET KS PRO – OPTIONS					
NO	MMA 01 110 910	REV	1	DATE	2023/04/27

#	Order nr	article description	quantity
1	BU 103 200 200	cutting disk 8 tooth (optional)	1